



CONVENIENT

7" touch screen LCD for parameter browsing and setting



RELIABLE

IP54 protection for outdoor installation



GLOBAL STANDARD

OCPP v1.6 open charge point protocol. IEC 62196 type II connector



COMPACT

Suitable for wall mounting



CAPABLE

CCS plug, more efficient charging



FLEXIBLE

25-40kW power control



MECHANICAL

Dimension (W/H/D)

540/760/271mm

Weight

55KG

CERTIFICATION

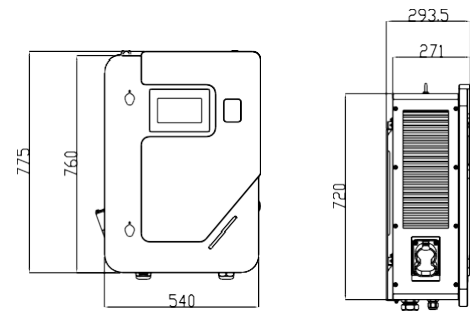
Certificate

CE



INPUT & OUTPUT

Input voltage	AC230-415V
Frequency	45-65HZ
DC plug type	CCS Type II
Output voltage range	250-750V DC
Output current	0-33.3A/0-60A/per phase
Voltage accuracy	≤±1%
Current-regulating accuracy	≤±1%
Metering accuracy	0.5%
Current accuracy	≥30A ≤ ± 1% ; < 30A: ≤ ±0.3A
Voltage-regulating accuracy	≤±0.5%
Ripple coefficient	≤±1%
Efficiency	≥95.2%
Connection	DC Gun *1



PROTECTION

Over voltage protection	Yes
Under voltage protection	Yes
Overload protection	Yes
Leakage current protection	Yes
Overtemperature protection	Yes
Under temperature protection	Yes
Surge protection	Yes

FUNCTION & ACCESSORY

Ethernet/WIFI/4G	Yes/Opt/Opt
Display	7 inch touch screen
Indicator	Yes
Payment support	RFID/QR(standard)
Emergency stop	Yes
Cable Length	4m
RFID	Yes
Load Balancing distance	>15m (3PHM)

WORKING ENVIRONMENT

Protection degree	IP54
Environment temperature	-20°C ~ +65°C
Relative humidity	0-95% non-condensing
Maximum altitude	<2000m
Cooling	Forced air cooling
Standby power	<25W
Noise emission	≤65db

